

NS 35/ 7,5 PERF 2000MM


Order No.: 0801733



<http://eshop.phoenixcontact.de/phoenix/treeViewClick.do?UID=0801733>

DIN rail, material: Steel, galvanized and passivated with a thick layer, perforated, height 7.5 mm, width 35 mm, length: 2 m

Commercial data

GTIN (EAN)	 4 017918 006686
sales group	B202
Pack	5 pcs.
Customs tariff	72166190
Catalog page information	Page 693 (CL-2009)

Product notes

WEEE/RoHS-compliant since:
02/01/2006



<http://www.download.phoenixcontact.com>
Please note that the data given here has been taken from the online catalog. For comprehensive information and data, please refer to the user documentation. The General Terms and Conditions of Use apply to Internet downloads.

Technical data

General data

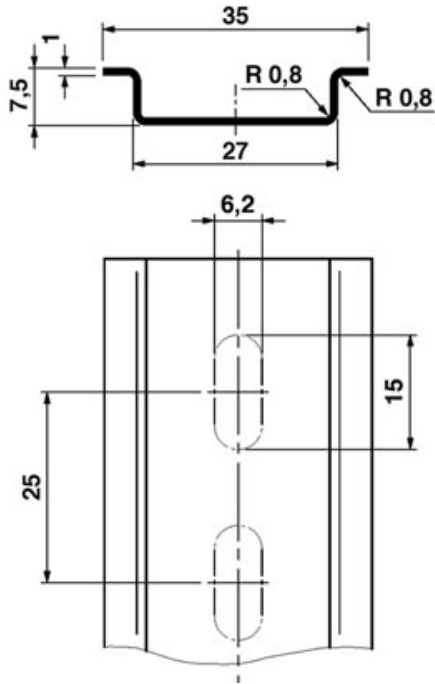
Height	7.5 mm
Length	2000 mm
Width	35 mm
Material	Steel
Color	silver

Test standard

In acc. with EN 60715: 2001

Diagrams/Drawings

Dimensioned drawing



Address

PHOENIX CONTACT Inc., USA
586 Fulling Mill Road
Middletown, PA 17057, USA
Phone (800) 888-7388
Fax (717) 944-1625
<http://www.phoenixcon.com>



© 2010 Phoenix Contact
Technical modifications reserved;