

NS 35/15 PERF 2000MM


Order No.: 1201730



<http://eshop.phoenixcontact.de/phoenix/treeViewClick.do?UID=1201730>

DIN rail, material: Steel, perforated, height 15 mm, width 35 mm,
length: 2 m

Commercial data

GTIN (EAN)	
sales group	B202
Pack	5 pcs.
Customs tariff	72166190
Catalog page information	Page 694 (CL-2009)

Product notes

WEEE/RoHS-compliant since:
01/05/2006



<http://www.download.phoenixcontact.com>
Please note that the data given here has been taken from the online catalog. For comprehensive information and data, please refer to the user documentation. The General Terms and Conditions of Use apply to Internet downloads.

Technical data

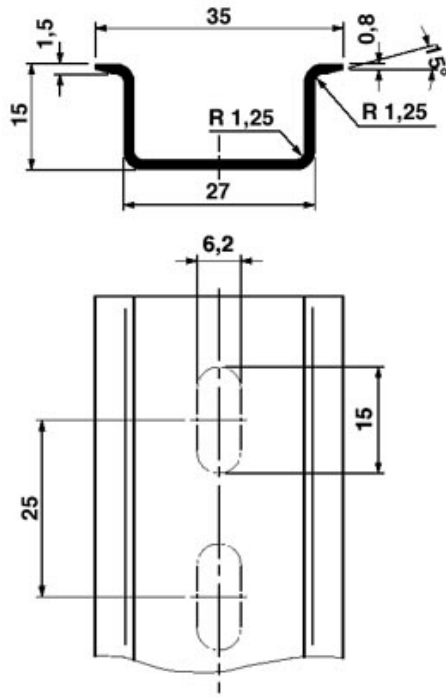
General data

Height	15 mm
Length	2000 mm
Width	35 mm
Material	Steel
Coating	Galvanized, passivated with a thick layer

Color	silver
-------	--------

Diagrams/Drawings

Dimensioned drawing



Address

PHOENIX CONTACT Inc., USA
586 Fulling Mill Road
Middletown, PA 17057, USA
Phone (800) 888-7388
Fax (717) 944-1625
<http://www.phoenixcon.com>



© 2011 Phoenix Contact
Technical modifications reserved;