



# Selectomite® 71 and 76 Series

## 3-way Ball Valves

Selectomite® 3-way ball valves use 180° operation for diverting flow from one line to another. The handle points to the side port in use; when perpendicular to the side ports, it indicates the shutoff position.



### Typical Applications

- Instrument air lines
- Sampling systems
- 2-way gauge readout of line pressure
- Manual cylinder actuation

### Technical Data

<b>BODY MATERIAL*</b>	316 stainless steel, brass, Monel®
<b>OPERATING PRESSURE RANGE***</b>	Moderate vacuum** to 6000 psig @ 70° F (414 bar @ 21° C)
<b>OPERATING TEMPERATURE RANGE</b>	<b>7165 Series</b> -40° F to +350° F (-40° C to +177° C) <b>7177 Series</b> 0° F to +350° F (-18° C to +177° C) <b>7671, 7673 Series</b> -40° F to +250° F (-40° C to +121° C)
<b>ORIFICE SIZES</b>	0.093" to 0.187" (2.4 to 4.8mm)
<b>Cv FACTORS</b>	0.15 to 0.57
<b>END CONNECTIONS</b>	½" to ½" Gyrolok® ¾" to ¼" NPT 3 to 8mm Gyrolok®

\* Consult factory for other materials

\*\* Moderate vacuum is  $10^{-3}$  to 20 torr. Pressure rating is for inlet through Port 3. For side loading (inlet at Port 1 or 2), see note under How to Order table for each series on page 21 and 22. For differential pressures up to 6000 psig, see Selectomite® 76 Series 3-way trunnion valves.

\*\*\* Depending on valve series.

### Features & Benefits

- Handle points to port in use or to closed position, providing a visual cue and improved safety.
- Dyna-Pak® packing provides a leak-tight seal with low operating torque in vacuum or high pressure applications, helping to prevent fugitive emissions.
- Dual encapsulated TFE seats and microfinished ball ensure a leak tight seal. This combination provides greater valve reliability.
- TFE seats and washers provide excellent corrosion resistance, providing the correct material for the application.
- A wide variety of HOKE Gyrolok® end fittings or pipe fittings provide the correct fitting option for the application.
- Special High Tolerance NPT Thread

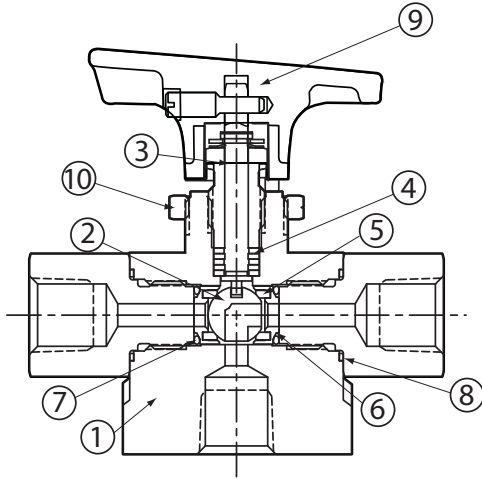
ball valves

### HOKE Incorporated

405 Centura Court • PO Box 4866 (29305) • Spartanburg, SC 29303  
Phone (864) 574-7966 Fax (864) 587-5608  
www.hoke.com • sales@hoke.com

# Selectomite® 71 and 76 Series

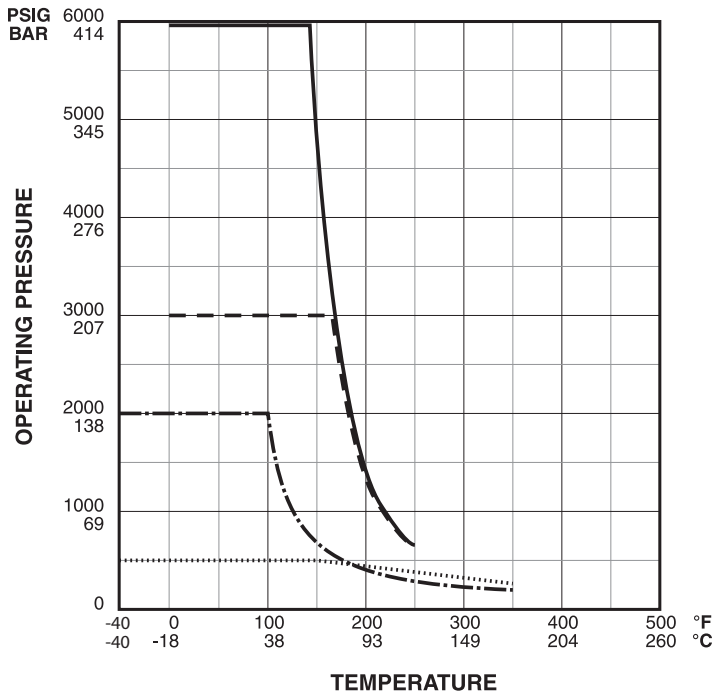
## Materials of Construction



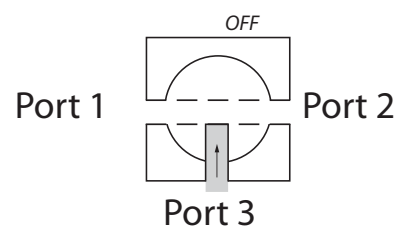
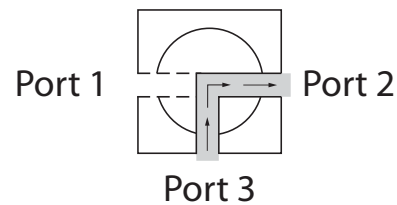
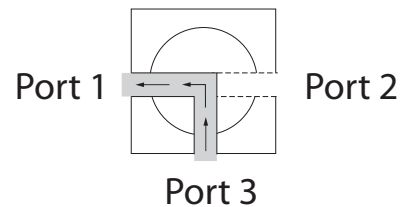
DESCRIPTION	BRASS	316 STAINLESS STEEL	MONEL®
1 Body	Brass	316 stainless steel	Monel®
2 Ball	316 stainless steel	316 stainless steel	Monel®
3 Stem	316 stainless steel	316 stainless steel	Monel®
4 Stem packing	TFE/316 stainless steel wafers	TFE/316 stainless steel wafers	TFE/Monel® wafers
5 <b>Seats</b> 7165, 7177 Series 7671 Series 7673 Series	TFE Nylatron® —	TFE — Nylatron®	TFE — —
6 Seat retainers	Brass	316 stainless steel	Monel®
7 <b>Seat washers†</b> 7177, 7673 Series 7165 Series 7671 Series	— TFE Buna-N	Viton® TFE —	— TFE —
8 End fitting gaskets	TFE	TFE	TFE
9 Handle	Nylon	Nylon	Nylon
10 Panel mounting nut	Nickel-plated brass	316 stainless steel	Nickel-plated brass

† Other elastomers are available upon request. Contact your local distributor

## Pressure vs. Temperature Curve



## Flow Diagrams 3-way valve



# Selectomite® 71 and 76 Series

## Dimensions

### Selectomite® 7177 Series

END CONNECTIONS		C	E	G	H	H <sup>1</sup>
1/8" Gyrolok®	inch	1 <sup>27</sup> / <sub>64</sub>	2 <sup>7</sup> / <sub>8</sub>	1 <sup>1</sup> / <sub>4</sub>	1 <sup>23</sup> / <sub>32</sub>	2 <sup>3</sup> / <sub>64</sub>
	mm	36	73	32	44	9
1/8" female NPT	inch	1 <sup>27</sup> / <sub>64</sub>	2 <sup>1</sup> / <sub>4</sub>	1 <sup>1</sup> / <sub>4</sub>	3/4	2 <sup>3</sup> / <sub>64</sub>
	mm	36	57	32	19	9
1/4" Gyrolok®	inch	1 <sup>27</sup> / <sub>64</sub>	3 <sup>3</sup> / <sub>32</sub>	1 <sup>1</sup> / <sub>4</sub>	1 <sup>13</sup> / <sub>16</sub>	2 <sup>3</sup> / <sub>64</sub>
	mm	36	78	32	46	9
3mm Gyrolok®	inch	1 <sup>27</sup> / <sub>64</sub>	2 <sup>7</sup> / <sub>8</sub>	1 <sup>1</sup> / <sub>4</sub>	1 <sup>23</sup> / <sub>32</sub>	2 <sup>3</sup> / <sub>64</sub>
	mm	36	73	32	44	9
6mm Gyrolok®	inch	1 <sup>27</sup> / <sub>64</sub>	3 <sup>3</sup> / <sub>32</sub>	1 <sup>1</sup> / <sub>4</sub>	1 <sup>13</sup> / <sub>16</sub>	2 <sup>3</sup> / <sub>64</sub>
	mm	36	78	32	46	9

### Panel mounting

Panel hole: 1<sup>9</sup>/<sub>32</sub>" (15.1mm) diameter

Panel thickness: 3/16" (4.8mm) diameter

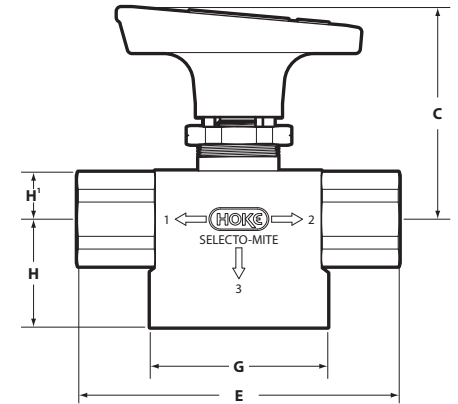
### Selectomite® 7165, 7671, 7673 Series

END CONNECTIONS		C	E	G	H	H <sup>1</sup>
1/8" Gyrolok®	inch	1 <sup>15</sup> / <sub>16</sub>	3 <sup>7</sup> / <sub>16</sub>	1 <sup>3</sup> / <sub>4</sub>	2	7/16
	mm	49	87	44	51	11
1/4" Gyrolok®	inch	1 <sup>15</sup> / <sub>16</sub>	3 <sup>5</sup> / <sub>8</sub>	1 <sup>3</sup> / <sub>4</sub>	2 <sup>1</sup> / <sub>16</sub>	7/16
	mm	49	92	44	52	11
1/4" female NPT	inch	1 <sup>3</sup> / <sub>4</sub>	3	1 <sup>3</sup> / <sub>4</sub>	1 <sup>5</sup> / <sub>16</sub>	7/16
	mm	44	76	44	24	11
3/8" Gyrolok®	inch	1 <sup>15</sup> / <sub>16</sub>	3 <sup>7</sup> / <sub>8</sub>	1 <sup>3</sup> / <sub>4</sub>	2 <sup>3</sup> / <sub>16</sub>	7/16
	mm	49	98	44	56	11
3mm Gyrolok®	inch	1 <sup>15</sup> / <sub>16</sub>	3 <sup>7</sup> / <sub>16</sub>	1 <sup>3</sup> / <sub>4</sub>	2	7/16
	mm	49	87	44	51	11
6mm Gyrolok®	inch	1 <sup>15</sup> / <sub>16</sub>	3 <sup>5</sup> / <sub>8</sub>	1 <sup>3</sup> / <sub>4</sub>	2 <sup>1</sup> / <sub>16</sub>	7/16
	mm	49	92	44	52	11
8mm Gyrolok®	inch	1 <sup>15</sup> / <sub>16</sub>	3 <sup>7</sup> / <sub>8</sub>	1 <sup>3</sup> / <sub>4</sub>	2 <sup>3</sup> / <sub>16</sub>	7/16
	mm	49	98	44	56	11

### Panel mounting

Panel hole: 5<sup>7</sup>/<sub>64</sub>" (22.6mm) diameter

Panel thickness: 3/16" (4.8mm) diameter



Dimensions for reference only, subject to change.

## How to Order Standard Valves

### Selectomite® 7165 Series Pressure to 500 psig (34 bar), TFE Seats—TFE Washers

END CONNECTIONS	ORDER BY PART NUMBER				
	BRASS	316 ST. STEEL	MONEL®	ORIFICE	Cv
1/8" Gyrolok®	7165G2B	7165G2Y	—	0.093" (2.4mm)	0.15 <sup>‡</sup>
1/4" Gyrolok®	7165G4B	7165G4Y	7165G4M	0.187" (4.7mm)	0.57
1/4" female NPT	7165F4B	7165F4Y	7165F4M	0.187" (4.7mm)	0.57
3/8" Gyrolok®	7165G6B	7165G6Y	—	0.187" (4.7mm)	0.57
1/2" Gyrolok®	7165G8B	7165G8Y	7165G8M	0.189" (4.8mm)	0.57
3mm Gyrolok®	—	7165G3YMM	—	0.093" (2.4mm)	0.15 <sup>‡</sup>
6mm Gyrolok®	—	7165G6YMM	—	0.187" (4.7mm)	0.57
8mm Gyrolok®	—	7165G8YMM	—	0.187" (4.7mm)	0.57

NOTE: Maximum differential pressure between side ports is 500 psig (34 barg).

‡ Orifice restricted by end connection.



7165G4B

# Selectomite® 71 and 76 Series

## How to Order Standard Valves (continued)



7177G2Y

### Selectomite® 7177 Series Pressure to 2000 psig (138 bar)

TFE Seats—Viton® Washers

END CONNECTIONS	ORDER BY PART NUMBER		
	316 STAINLESS STEEL	ORIFICE	Cv
1/8" Gyrolok®	7177G2Y	0.093" (2.4mm)	0.15 <sup>‡</sup>
1/8" female NPT	7177F2Y	0.125" (3.2mm)	0.30
1/4" Gyrolok®	7177G4Y	0.125" (3.2mm)	0.30
3mm Gyrolok®	7177G3YMM	0.125" (3.2mm)	0.15 <sup>‡</sup>
6mm Gyrolok®	7177G6YMM	0.093" (2.4mm)	0.15 <sup>‡</sup>

Note: Maximum differential pressure between side ports is 1500 psig (103 bar).

‡ Orifice restricted by end connection.

### Selectomite® 7671 Series Pressure to 3000 psig (207 bar)

Nylatron® Seats—Buna-N Washers

END CONNECTIONS	ORDER BY PART NUMBER		
	BRASS	ORIFICE	Cv
1/4" Gyrolok®	7671G4B	0.187" (4.7mm)	0.53
1/4" female NPT	7671F4B	0.187" (4.7mm)	0.57
1/2" Gyrolok®	7671G8B	0.188" (4.8mm)	0.53

Note: Maximum differential pressure between side ports is 1500 psig (103 bar).



7673F4Y

### Selectomite® 7673 Series Pressure to 6000 psig (414 bar)

Nylatron® Seats—Viton® Washers

END CONNECTIONS	ORDER BY PART NUMBER		
	316 STAINLESS STEEL	ORIFICE	Cv
1/4" Gyrolok®	7673G4Y	0.187" (4.7mm)	0.57
1/4" female NPT	7673F4Y	0.187" (4.7mm)	0.57
3/8" Gyrolok®	7673G6Y	0.187" (4.7mm)	0.57
1/2" Gyrolok®	7673G8Y	0.187" (4.7mm)	0.66
6mm Gyrolok®	7673G6YMM	0.187" (4.7mm)	0.57

Note: Maximum differential pressure between side ports is 1500 psig (103 bar).