



# 2219 Series

## Severe Service Needle Valves

The new Hoke 2219 Needle Valve is an excellent choice for many steam- and severe service applications. Grafoil® packing below the stem threads provides exceptional service at temperatures up to +1000° F (+538° C). The non-rotating 316 stainless steel stem tip prevents galling.



### Typical Applications

- Steam service in power plants
- Hot condensates

### Technical Data

<b>BODY MATERIAL</b>	316 stainless steel, carbon steel, Hastelloy® C-276, and Monel®
<b>MAXIMUM OPERATING PRESSURE</b>	6000 psig @ 70° F (414 Bar @ 21° C)
<b>PROOF PRESSURE SAFETY FACTOR</b>	2:1
<b>BURST PRESSURE</b>	4:1
<b>TEMPERATURE RANGE</b>	-100° F to + 1000° F @ 1750 psig max. (-75° C to + 538° C @ 120 bar max.)
<b>ORIFICE SIZES</b>	0.170", 0.250", 0.312", and 0.437" (4.3 mm, 6.4 mm, 7.9 mm, and 11.1 mm)
<b>C<sub>v</sub> FACTORS*</b>	0.47, 1.09, and 1.20

\* C<sub>v</sub> factor for 0.437" orifice not available at time of publication

### Features & Benefits

- Meets ANSI 900# specifications
- Grafoil® packing below threads isolates threads from media.
- Non-rotating 316 stainless steel stem tip prevents galling
- High pressure / high temperature use
- All standard components are 316 stainless steel
- Standard 316 stainless steel cast handle
- Fractional end connections available up to 1"; metric end connections up to 25 mm
- Gyrolok®, female NPT, NPS-, or tube socket weld end connections
- Bubble-tight leak testing at both seat and packing
- Special High Tolerance NPT Thread

needle valves

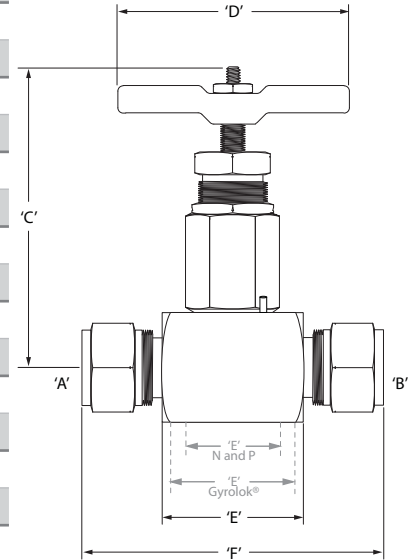
### HOKE Incorporated

405 Centura Court • PO Box 4866 • Spartanburg, SC 29303  
Phone (864) 574-7966 Fax (864) 587-5608  
www.hoke.com • sales@hoke.com

# 2219 Series Severe Service Needle Valve

## Dimensions

INLET A	OUTLET B	ORIFICE SIZE		C	D	E	F
¼" female NPT	¼" female NPT	0.250" (6.4 mm)	inch	3.4	2.63	2.25	N/A
			mm	86.4	66.8	57.2	N/A
½" female NPT	½" female NPT	0.312" (7.9 mm)	inch	3.4	2.63	2.51	N/A
			mm	86.4	66.8	63.8	N/A
¾" female NPT	¾" female NPT	0.437" (11.1 mm)	inch	3.55	2.63	3.50	N/A
			mm	89.6	66.8	88.9	N/A
1" female NPT	1" female NPT	0.437" (11.1 mm)	inch	3.59	2.63	4.25	N/A
			mm	91.3	66.8	108.0	N/A
¼" Gyrolok®	¼" Gyrolok®	0.170" (4.3 mm)	inch	3.4	2.63	1.87	3.15
			mm	86.4	66.8	47.4	80.1
½" Gyrolok®	½" Gyrolok®	0.250" (6.4 mm)	inch	3.4	2.63	1.50	3.43
			mm	86.4	66.8	38.1	87.1
¾" Gyrolok®	¾" Gyrolok®	0.437" (11.1 mm)	inch	3.53	2.63	2.88	4.87
			mm	89.7	66.8	73.2	123.8
1" Gyrolok®	1" Gyrolok®	0.437" (11.1 mm)	inch	3.53	2.63	2.51	5.00
			mm	89.7	66.8	63.8	120.9
12 mm Gyrolok®	12 mm Gyrolok®	0.250" (6.4 mm)	inch	3.40	2.63	1.51	3.36
			mm	86.4	66.8	38.5	85.4
22 mm Gyrolok®	22 mm Gyrolok®	0.437" (11.1 mm)	inch	3.53	2.63	2.76	4.86
			mm	89.7	66.8	70.1	123.3
25 mm Gyrolok®	25 mm Gyrolok®	0.437" (11.1 mm)	inch	3.53	2.63	2.51	5.11
			mm	89.7	66.8	63.8	129.7
⅜" tube socket weld	⅜" tube socket weld	0.250" (6.4 mm)	inch	3.4	2.63	1.94	2.44
			mm	86.4	66.8	49.3	62.0
½" tube socket weld	½" tube socket weld	0.250" (6.4 mm)	inch	3.40	2.63	1.94	2.44
			mm	86.4	66.8	49.3	62.0
¾" tube socket weld	¾" tube socket weld	0.437" (11.1 mm)	inch	3.53	2.63	2.50	3.50
			mm	89.7	66.8	63.5	88.9
1" tube socket weld	1" tube socket weld	0.437" (11.1 mm)	inch	3.53	2.63	2.50	3.50
			mm	89.7	66.8	63.5	88.9
⅜" NPS socket weld	⅜" NPS socket weld	0.250" (6.4 mm)	inch	3.4	2.63	2.01	2.51
			mm	56.4	66.8	51.05	63.8
½" NPS socket weld	½" NPS socket weld	0.312" (7.9 mm)	inch	3.4	2.63	1.75	2.51
			mm	86.4	66.8	44.45	63.8
¾" NPS socket weld	¾" NPS socket weld	0.437" (11.1 mm)	inch	3.53	2.63	2.50	3.50
			mm	89.7	66.8	63.5	88.9
1" NPS socket weld	1" NPS socket weld	0.437" (11.1 mm)	inch	3.59	2.63	2.50	3.50
			mm	91.3	66.8	63.5	88.9

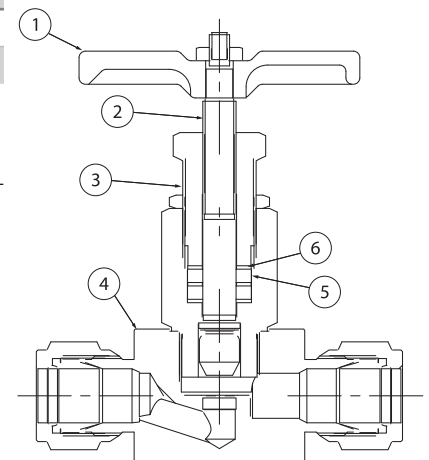


Dimensions for reference only, subject to change.

## Materials of Construction\*

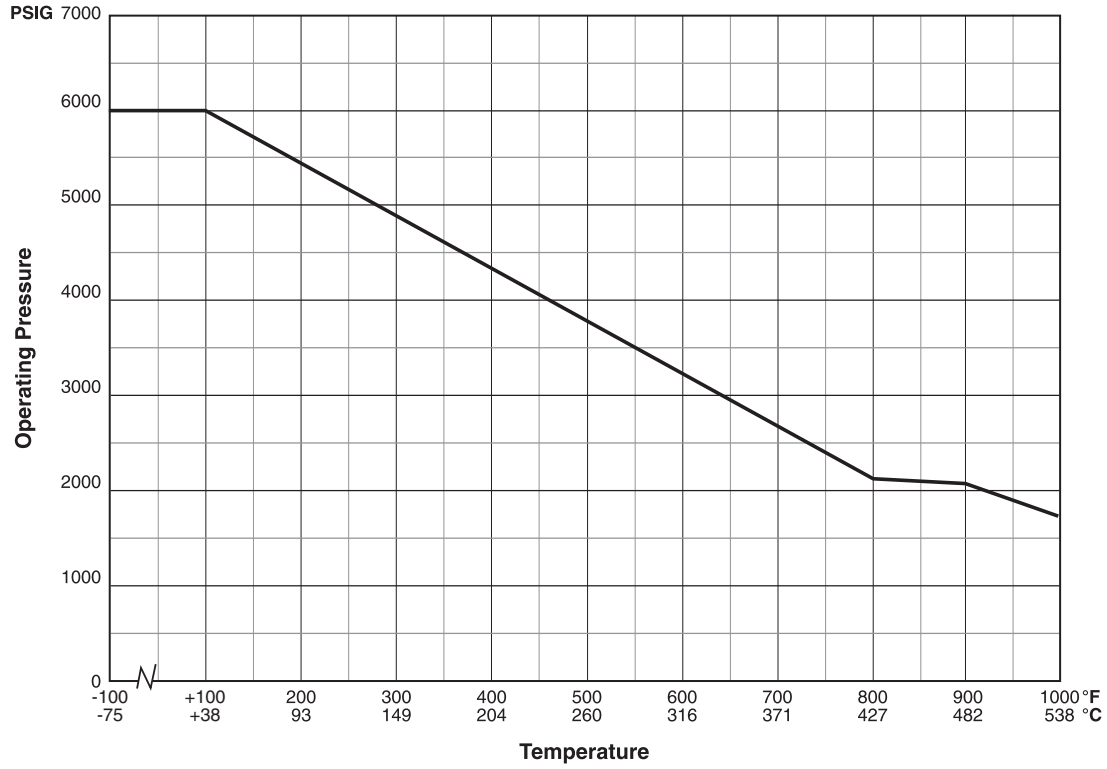
DESCRIPTION	MATERIAL
1 Handle	316 stainless steel
2 Stem assembly	316 stainless steel
3 Packing nut	316 stainless steel
4 Body	316 stainless steel
5 Packing	Grafoil®
6 Packing washer	316 stainless steel

\* This listing contains standard valve information only. See page 19 for a complete list of options.



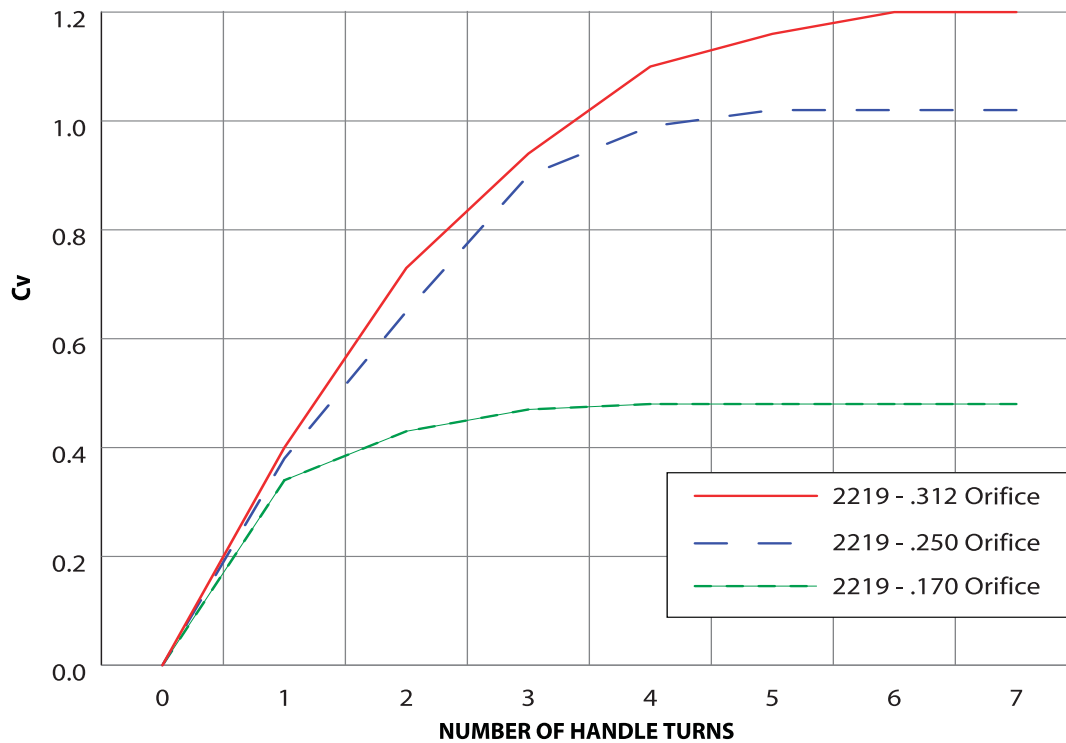
# 2219 Series Severe Service Needle Valve

## Pressure vs. Temperature Curve



## Flow Curves

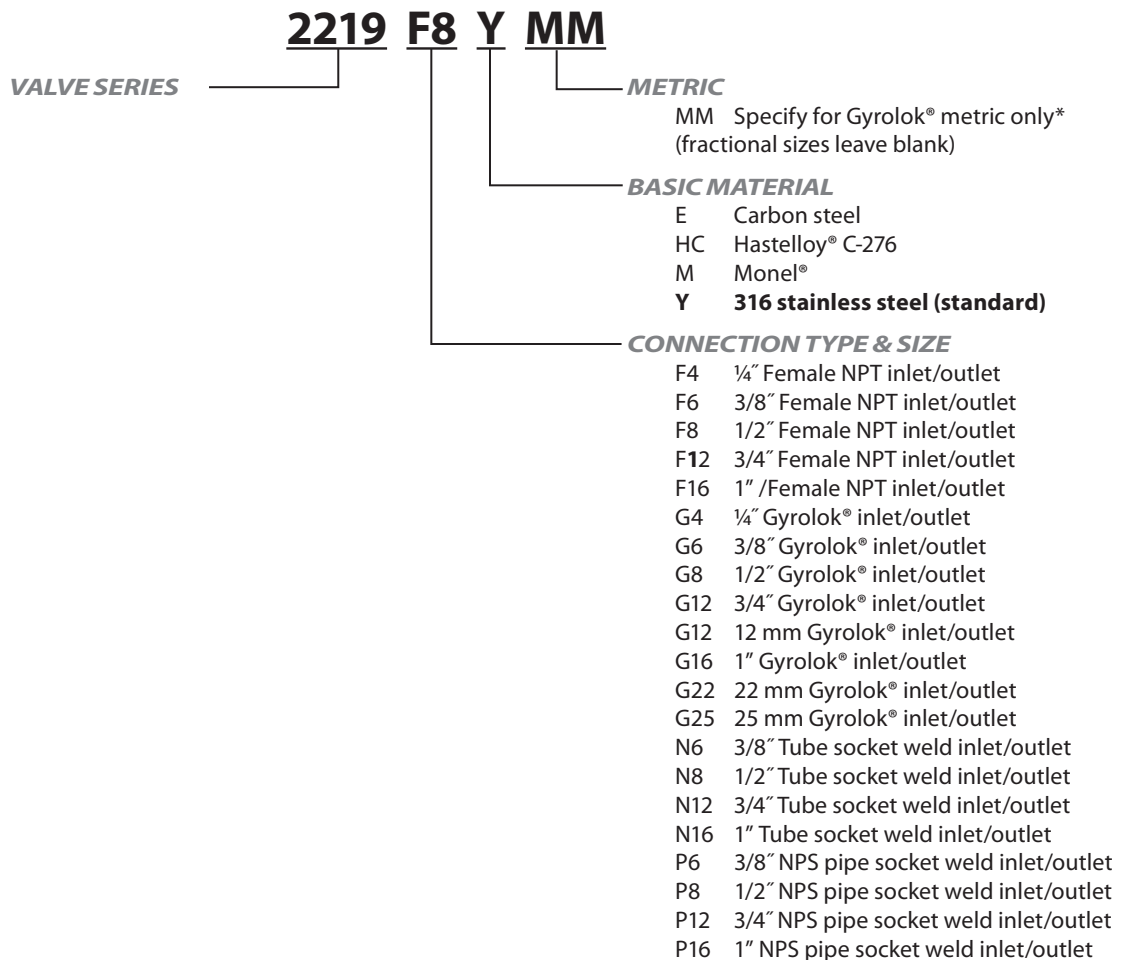
### Handle Turns vs. $C_v$



\* Data for 0.437" orifice not available at time of publication

# 2219 Series Severe Service Needle Valve

## How to Order: Build-to-Order



\* Consult factory for metric connections and additional material options.

### For Your Safety

It is solely the responsibility of the system designer and user to select products suitable for their specific application requirements and to ensure proper installation, operation, and maintenance of these products. Material compatibility, product ratings and application details should be considered in the selection. Improper selection or use of products described herein can cause personal injury or property damage.

Gyrolok® is a registered trademark of HOKE, Inc.

Grafoil® is a registered trademark of Union Carbide Corp.

Hastelloy® is a registered trademark of Haynes International, Inc.

Monel® is a registered trademark of Special Metals Corporation.

[www.hoke.com](http://www.hoke.com)

[www.unioncarbide.com](http://www.unioncarbide.com)

[www.haynesintl.com](http://www.haynesintl.com)

[www.specialmetals.com](http://www.specialmetals.com)