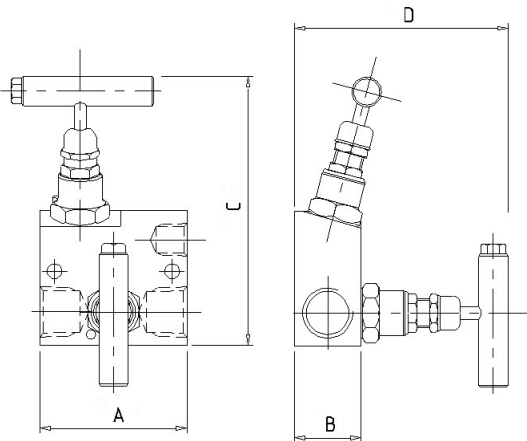


## Product Data Sheet

## G12AF Type 2 Valve Manifold



The 'G12AF' Type 2 valve manifold is designed for remote mounting to static pressure transmitters. The angled heads allow for panel mounting. The separate vent valve gives full control of venting of the instrument, plus the ability to calibrate in-situ. Each needle valve head is designed for safe and reliable isolation, giving bubble tight shut off, with non-rotating & anti-galling tip and dynamic self-adjusting spindle seal to give long service life in a variety of service conditions.

Part No.	Connections Size	A	B	C	D	Weight (Kgs)
G12AF	½" F x F	2.5	1.1	4.6	3.6	1.0

### Key Features of the Oliver Needle Valve range

- Non rotating tip - self centering & anti-galling
- Piston ring - gives dynamic adjustment of gland seal in response to pressure change
- Anti-blow out spindle - a major safety feature
- Secure seal - precision machined to give leak free operation for the life of the valve. Available in either PTFE or Grafoil

### Standard Specification

Pressure: 6000psi	Packing: PTFE	Handle: T-Bar	Bore: 0.21" (5.4mm)
Temp: 240 deg C	Thread form: NPT	Seat: Metal to metal	CV: 0.46
2 x 9/32" diameter mounting holes included		1/2" Inlet / Outlet Connections	
1/4" NPT Vent Connection			

### Ordering Code

	(Typical example) →	G12AF	S	/	BT	/	AT
<b>Type</b>							
	G12AF - Female x Female						
<b>Material</b>							
	S - 316S31 Stainless Steel M - Monel (400) HC - Hastalloy (C276) (Others available)						
<b>Optional Connections (NPT Standard)</b>							
	BT - BSP Taper BP - BSP Parallel (top sealing) BTV - BSP Taper Vent BPV - BSP Parallel Vent						
<b>Options</b>							

AG - Grafoil  
AT - Anti-Tamper  
BKTC - Carbon steel mounting bracket  
BKTS - Stainless steel mounting bracket  
HL - Handle Locking  
HL-PI - Handle Locking + Position Indicator  
HW - Hand Wheel

LT100 - Cryogenic Head Unit (-100°C)  
MT - Metering Tip  
NA - NACE MR-01-75 (latest revision)  
OXY - Oxygen Cleaned  
PK - PEEK Soft Tip  
PP - Blank Plug In Vent Connection

Rev 1.1