

Contact module with 1 contact element, 1 NC, screw terminal, for front plate mounting, Minimum order quantity 5 or a multiple of this



product brand name	SIRIUS ACT
product designation	Contact module
product type designation	3SU1

General technical data	
product function	
<ul style="list-style-type: none"> positive opening 	Yes
insulation voltage	
<ul style="list-style-type: none"> rated value 	500 V
degree of pollution	3
type of voltage	
<ul style="list-style-type: none"> of the operating voltage of the input voltage 	AC/DC AC/DC
surge voltage resistance rated value	6 kV
protection class IP	
<ul style="list-style-type: none"> of the enclosure of the terminal 	IP40 IP20
shock resistance	
<ul style="list-style-type: none"> acc. to IEC 60068-2-27 for railway applications acc. to DIN EN 61373 	Sinusoidal half-wave 50g / 11 ms Category 1, Class B

vibration resistance	
<ul style="list-style-type: none"> • acc. to IEC 60068-2-6 • for railway applications acc. to DIN EN 61373 	10 ... 500 Hz: 5g Category 1, Class B
operating frequency maximum	3 600 1/h
mechanical service life (switching cycles)	
<ul style="list-style-type: none"> • typical 	10 000 000
electrical endurance (switching cycles)	
<ul style="list-style-type: none"> • typical 	10 000 000
thermal current	10 A
reference code acc. to DIN EN 81346-2	S
continuous current of the C characteristic MCB	10 A
operating voltage	
<ul style="list-style-type: none"> • at AC <ul style="list-style-type: none"> — at 50 Hz rated value — at 60 Hz rated value • at DC <ul style="list-style-type: none"> — rated value 	5 ... 500 V 5 ... 500 V 5 ... 500 V

Power Electronics

contact reliability	One maloperation per 100 million (17 V, 5 mA), one maloperation per 10 million (5 V, 1 mA)
----------------------------	--

Auxiliary circuit

design of the contact of auxiliary contacts	Silver alloy
number of NC contacts for auxiliary contacts	1
<ul style="list-style-type: none"> • lagging switching 	0
number of NO contacts for auxiliary contacts	0
<ul style="list-style-type: none"> • leading contact 	0
operating current at AC-12	
<ul style="list-style-type: none"> • at 24 V rated value • at 48 V rated value • at 110 V rated value • at 230 V rated value • at 400 V rated value 	10 A 10 A 10 A 8 A 8 A
<ul style="list-style-type: none"> • operating current at AC-15 at 24 V rated value • operating current at AC-15 at 48 V rated value • operating current at AC-15 at 110 V rated value • operating current at AC-15 at 230 V rated value • operating current at AC-15 at 400 V rated value • operating current at AC-15 at 500 V rated value 	6 A 6 A 6 A 6 A 3 A 1.4 A
operating current at DC-12	
<ul style="list-style-type: none"> • at 24 V rated value • at 48 V rated value 	10 A 5 A

<ul style="list-style-type: none"> • at 110 V rated value • at 230 V rated value • at 400 V rated value • at 500 V rated value 	<p>2.5 A</p> <p>1 A</p> <p>0.3 A</p> <p>0.3 A</p>
operating current at DC-13	
<ul style="list-style-type: none"> • at 24 V rated value • at 48 V rated value • at 110 V rated value • at 230 V rated value • at 400 V rated value • at 500 V rated value 	<p>3 A</p> <p>1.5 A</p> <p>0.7 A</p> <p>0.3 A</p> <p>0.1 A</p> <p>0.1 A</p>

Connections/ Terminals

type of electrical connection	screw-type terminals
type of connectable conductor cross-sections	
<ul style="list-style-type: none"> • solid with core end processing • solid without core end processing • finely stranded with core end processing • finely stranded without core end processing • at AWG conductors 	<p>2x (0.5 ... 0.75 mm²)</p> <p>2x (1.0 ... 1.5 mm²)</p> <p>2x (0.5 ... 1.5 mm²)</p> <p>2x (1,0 ... 1,5 mm²)</p> <p>2x (18 ... 14)</p>
tightening torque	
<ul style="list-style-type: none"> • with screw-type terminals 	0.8 ... 0.9 N·m

Ambient conditions

environmental category during operation acc. to IEC 60721	3M6, 3S2, 3B2, 3C3 (without salt spray), 3K6 (with relative humidity of 10 ... 95%, no condensation in operation permitted)
---	---

Installation/ mounting/ dimensions

mounting type	front panel mounting
<ul style="list-style-type: none"> • of modules and accessories 	Front plate mounting
height	33.2 mm
width	9.8 mm
depth	27.7 mm

Certificates/ approvals

General Product Approval



CCC



CSA



UL



VDE

KC



Declaration of Conformity



EG-Konf.

Miscellaneous

Test Certificates

Type Test Certificates/Test Report

Special Test Certificate

Marine / Shipping



ABS



LRS

Marine / Shipping



PRS



RINA



RMRS

other

Confirmation

Further information

Information- and Downloadcenter (Catalogs, Brochures,...)

<https://www.siemens.com/ic10>

Industry Mall (Online ordering system)

<https://mall.industry.siemens.com/mall/en/en/Catalog/product?mlfb=3SU1400-1AA10-1CA0>

Cax online generator

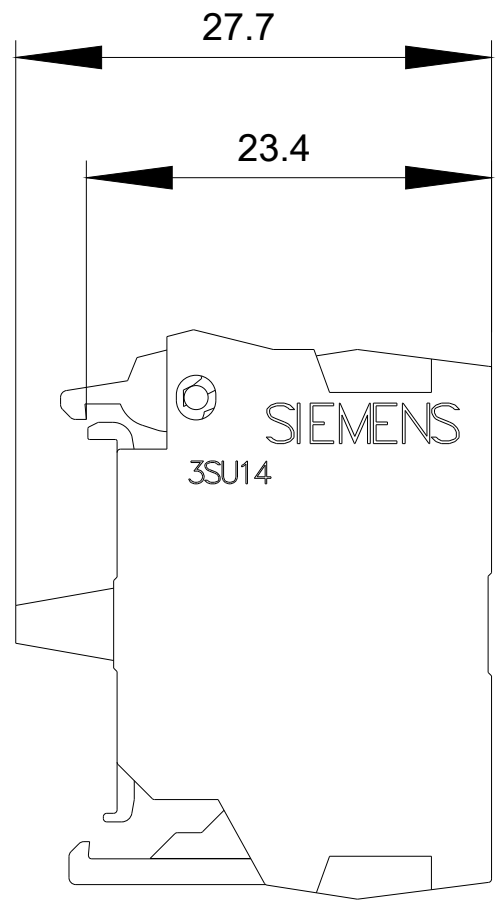
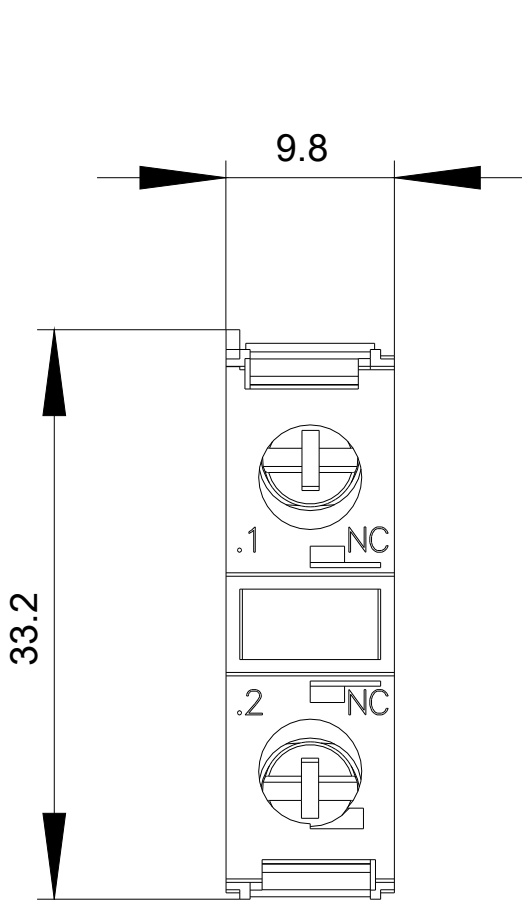
<http://support.automation.siemens.com/WW/CAXorder/default.aspx?lang=en&mlfb=3SU1400-1AA10-1CA0>

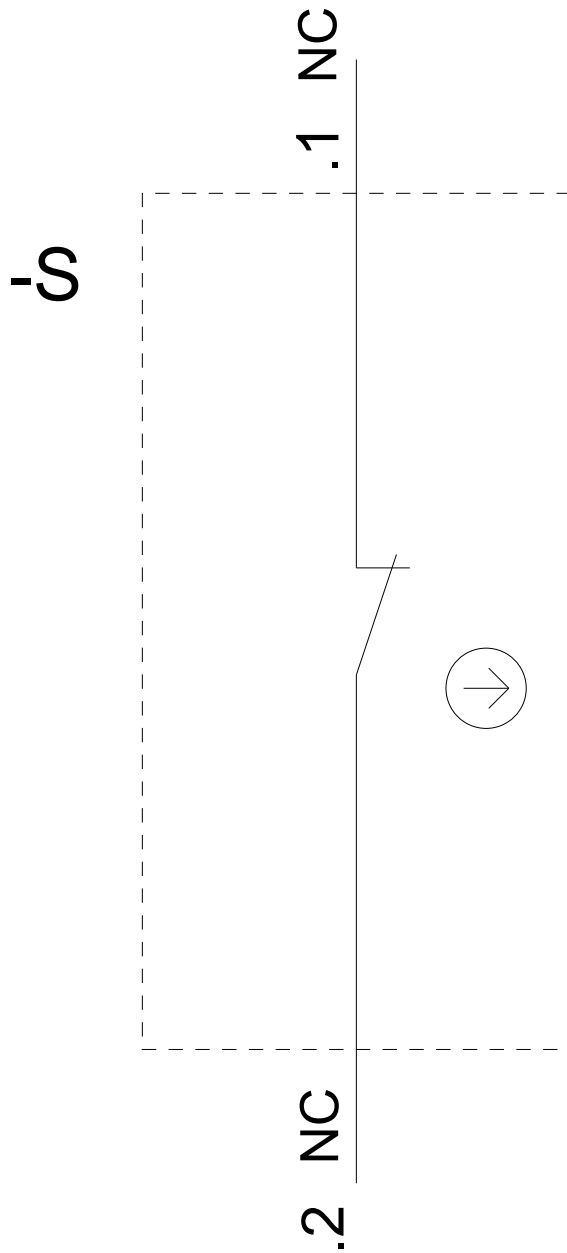
Service&Support (Manuals, Certificates, Characteristics, FAQs,...)

<https://support.industry.siemens.com/cs/ww/en/ps/3SU1400-1AA10-1CA0>

Image database (product images, 2D dimension drawings, 3D models, device circuit diagrams, EPLAN macros, ...)

http://www.automation.siemens.com/bilddb/cax_de.aspx?mlfb=3SU1400-1AA10-1CA0&lang=en





last modified:

09/25/2020